

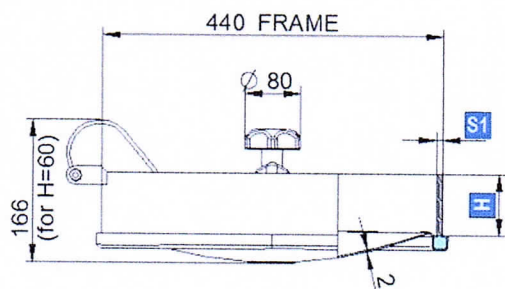
In order to provide our valued customers with the most suitable product in terms of functionality, hygienic use and maintenance, we have developed the following new articles:

1) **New product:** New version of series 180 with pivot and inwards/outwards opening

Products involved: **FA14E5600 = Mod.180SN ; FA14E5601 = Mod.182SN ;  
FA14E5602 = Mod.184SN ; FA14E5603 = Mod.186SN**

Upgrade: opening inwards and outwards.

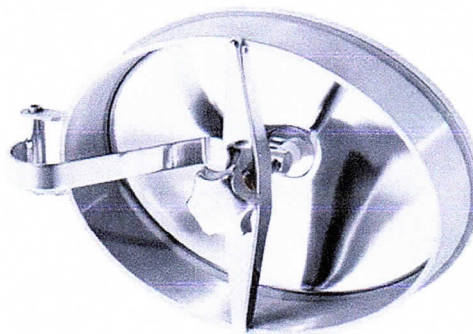
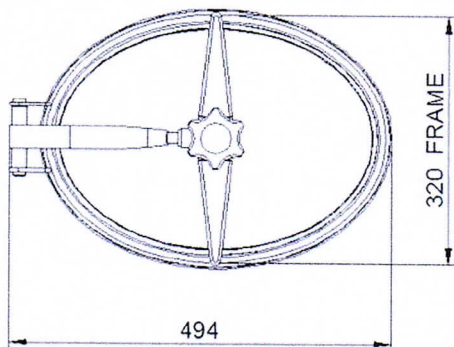
New product launch: 06/2018



Mod.	H (mm)	S1 (mm)	P. max (bar)	Weight (Kg)
180SN	60	6	0 / 1,3	7,6
182SN	80	6	0 / 1,3	7,9
184SN	60	8	0 / 1,3	9,3
186SN	80	8	0 / 1,3	10,5

MATERIAL: AISI 304L-14307 / AISI 316L-14404

Complying with PED guidelines

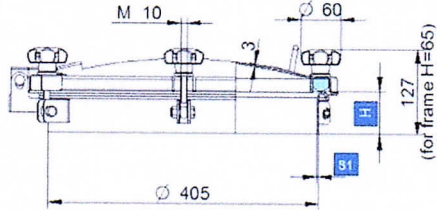


2) **Technical Change:** New rear hinge and new cover thickness of 3 mm.  
 NB: the new release replaces the previous one

Products Involved: **FA87E6000N = Mod. 6V/250 ; FA87E6001N = Mod. 6V/251 ;**  
**FA87E6002N = Mod. 6V/252 ; FA87E6003N = Mod. 6V/253**

Upgrade: - New and more hygienic hinge  
 - Stronger cover ( thickness increased to 3 mm.)

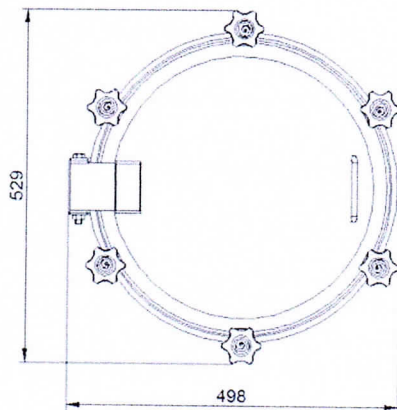
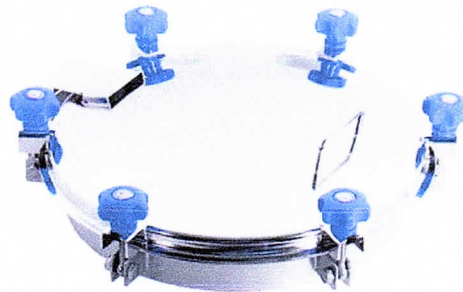
Implementation start date: 06/2018



Mod.	H (mm)	S1 (mm)	P. max (bar)	Weight (Kg)
6V/250	65	3	0 / 1,2	7,9
6V/251	100	3	0 / 1,2	8,5
6V/252	150	3	0 / 1,2	9,4
6V/253	200	3	0 / 1,2	10,2

MATERIAL: AISI 304L-14307 / AISI 316L-14404

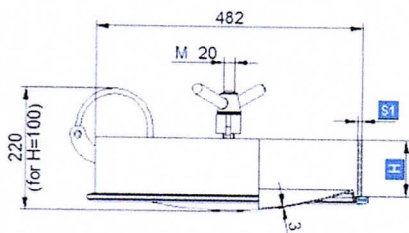
Complying with PED guidelines



3) **Technical Change:** New frame dimensions

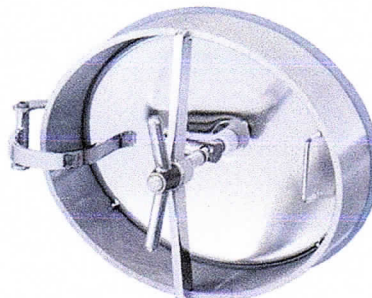
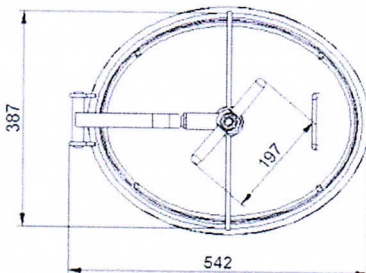
Products involved: **FA06E4200N = Mod. 200N ; FA06E4201N = Mod. 201N**  
 Upgrade: Better Frame/Cover Coupling

Implementation start date: 06/2018



Mod.	H (mm)	S1 (mm)	P. max (bar)	Weight (Kg)
200N	80	8	0 / 2,7	14,8
201N	100	8	0 / 2,7	16,5

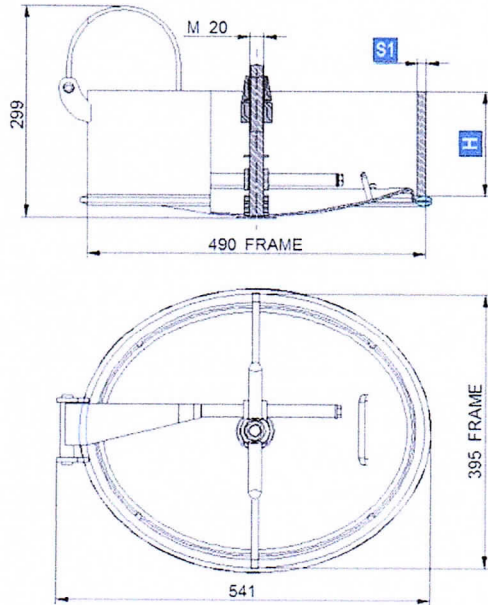
MATERIAL: AISI 304L-14307 / AISI 316L-14404



4) **New product:** new manwaydoor model 206 with inwards/outwards opening

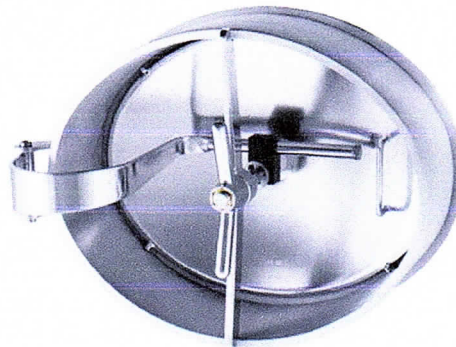
Product involved: **FA06E4207 = Mod. 206**  
 Upgrade: Frame H=150mm

New product launch: 06/2018



Mod.	H (mm)	S1 (mm)	P. max (bar)	Weight (Kg)
206	150	12	0 / 2.7	21.3

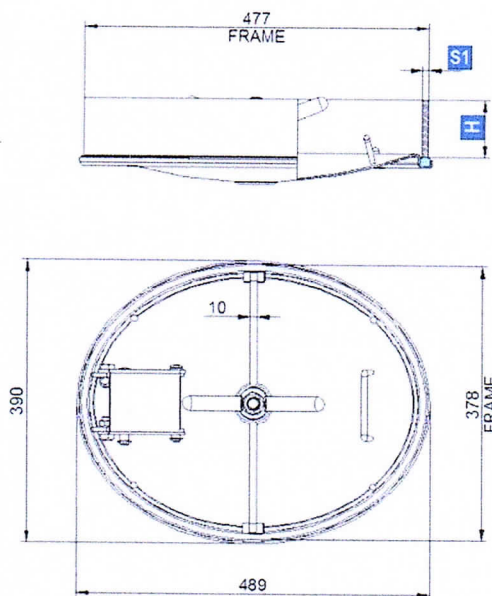
MATERIAL: AISI 304L-14307 / AISI 316L-14404 (\*)  
 (\*) A richiesta / On request



5) **New product:** new manwaydoor model 201/LW with inwards opening

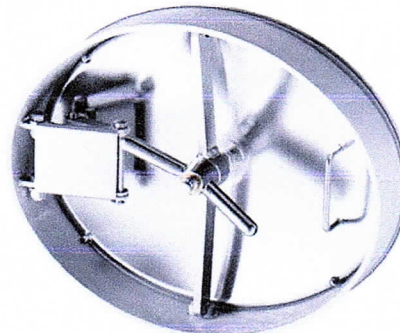
Product Involved: **FA13E4201 = Mod. 201/LW**  
 Upgrade: Frame H=80mm

New product launch: 06/2018



Mod.	H (mm)	S1 (mm)	P. max (bar)	Weight (Kg)
201/LW	80	8	0 / 2.7	18.60

MATERIAL: AISI 304L-14307 / AISI 316L-14404

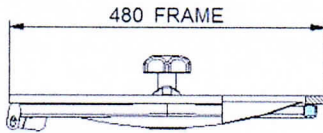




6) **New product:** new manwaydoor model 170L with inwards opening

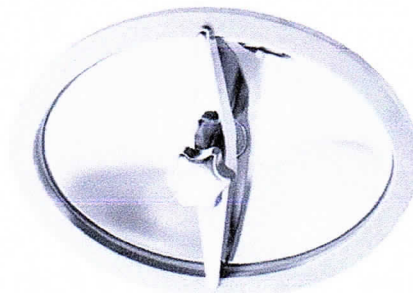
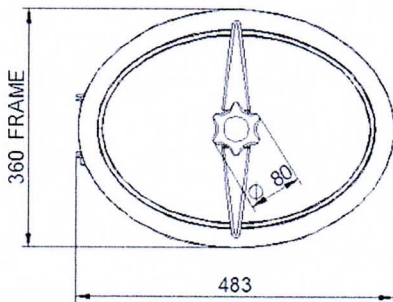
Product Involved: **FA02E5200 = Mod. 170L**  
 Upgrade: Hygienic

New product launch: 06/2018



Mod	H(mm)	P. max (bar)	Weight (Kg)
170L	30X15	0 / 1.2	7,5

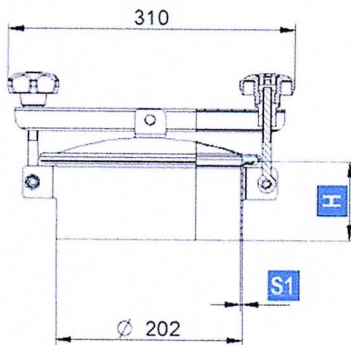
MATERIAL: AISI 304L-14307 / AISI 316L-14404



7) **New product:** . new manwaydoor model N/230/2V with outwards opening

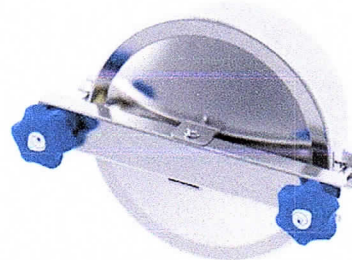
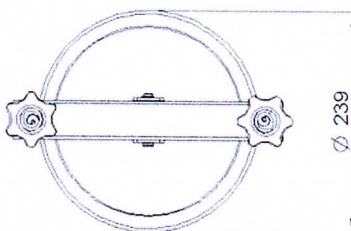
Products involved: **FA56E61R0 = Mod. N/230/2V ; FA56E61R1 = Mod. N/231/2V ; FA56E61R2 = Mod. N/232/2V**

New product launch: 06/2018



Mod	H (mm)	S1 (mm)	P. max (bar)	Weight (Kg)
N/230/2V	85	2	0 / 0,5	2,63
N/231/2V	150	2	0 / 0,5	3,60
N/232/2V	200	2	0 / 0,5	4,34

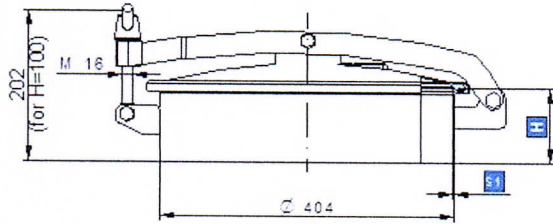
MATERIAL: AISI 304L-14307 / AISI 316L-14404



8) **New product:** new manhole covers model T/400 with outwards opening

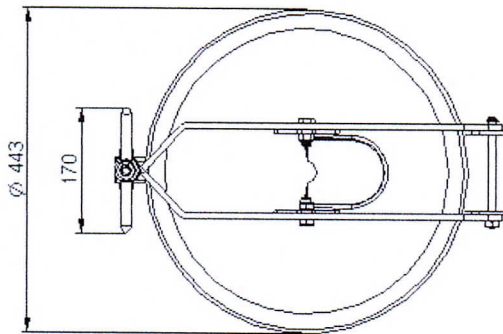
Products Involved: **FA64E3000 = Mod. T/400 ; FA64E3001 = Mod. T/401 ; FA64E3002 = Mod. T/402**

New product launch: 06/2018



Mod.	H (mm)	S1 (mm)	P. max (bar)	Weight (Kg)
T/400	100	2	0 / 0,1	9,10
T/401	150	2	0 / 0,1	10,10
T/402	200	2	0 / 0,1	11,00

MATERIAL: AISI 304L-14307 / AISI 316L-14404

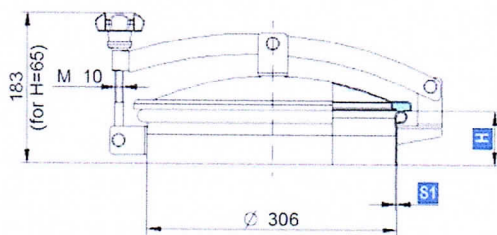


9) **New product:** new manhole covers model N/300 with outwards opening

Products Involved: **FA42E6000 = Mod. N/300 ; FA42E6001 = Mod. N/301 ; FA42E6002 = Mod. N/302**

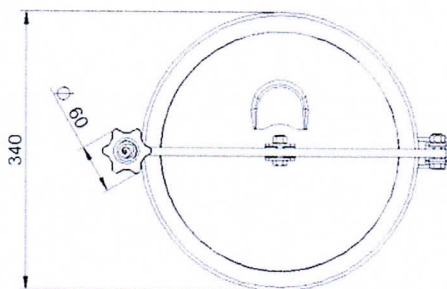
Upgrade: Gasket on the cover

New product launch: 06/2018



Mod.	H (mm)	S1 (mm)	P. max (bar)	Weight (Kg)
N/300	65	2	0 / 0,14	4,60
N/301	100	2	0 / 0,14	5,15
N/302	150	2	0 / 0,14	5,85

MATERIAL: AISI 304L-14307 / AISI 316L-14404

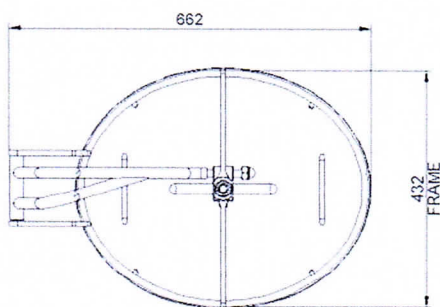
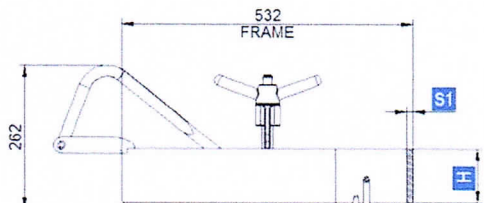


10) **New product:** new manwaydoor model 201FLT with inwards/outwards opening

Product Involved: **FA18EFLT02 = Mod. 201FLT**

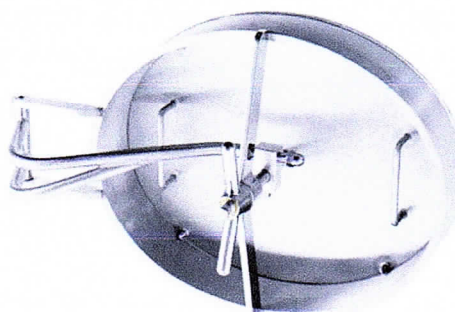
Upgrade: Flat Lid with 10 mm. thickness

New product launch: 06/2018



Mod.	H (mm)	S1 (mm)	P. max (bar)	Weight (Kg)
201 FLT	100	12	0 / 2.3	35.90

MATERIAL: AISI 304L-14307 / AISI 316L-14404

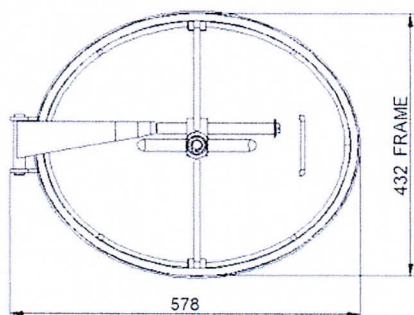
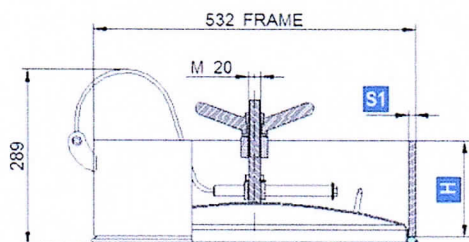


11) **New product:** new manwaydoor model 207LZD with inwards/outwards opening

Article Involved: **FA08E4254 = Mod. 207LZD**

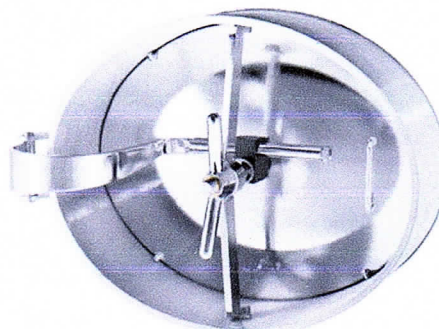
Upgrade: Frame H=160mm

New product launch: 06/2018



Mod.	H (mm)	S1 (mm)	P. max (bar)	Weight (Kg)
207LZD	160	12	0 / 4.8	32.9

MATERIAL: AISI 304L-14307 / AISI 316L-14404

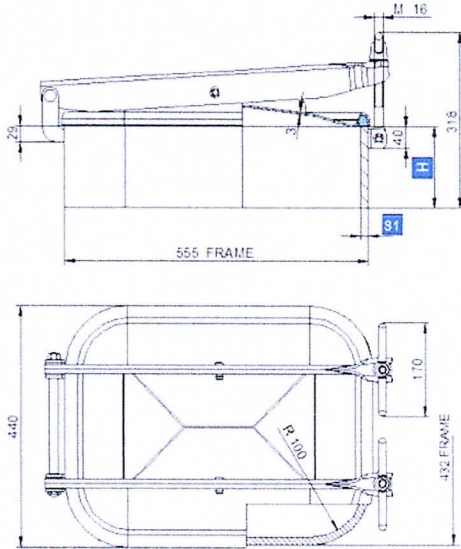




12) **New product:** new manwaydoor model 1603 with outwards opening

Article Involved: **FA30E3003 = Mod. 1603**  
 Upgrade: Frame H=150mm

New product launch: 06/2018



Mod	H (mm)	S1 (mm)	P. max (bar)	Weight (Kg)
1603	150	12	0 / 0,8	42,4

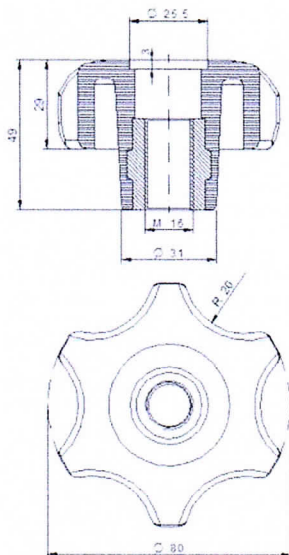
MATERIAL: AISI 304L-14307 / AISI 316L-14404 (\*)  
 (\*) A richiesta / On Request



13) **New Product:** new handle MEC/80 BLU M16

Product Involved: **MEC/80 BLU**

New product launch: 01/06/2018

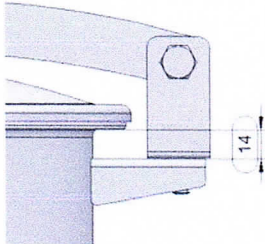


14) **Technical Change:** modified arm support for T1/200 – T1/300 – T1/400

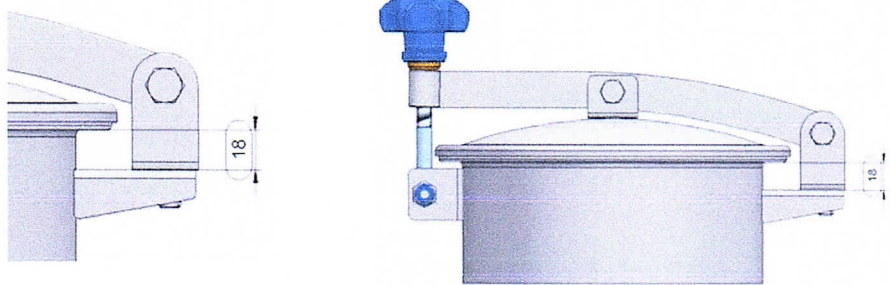
Products involved: **T1/200 – T1/300 – T1/400**

Implementation start date: 01/06/2018

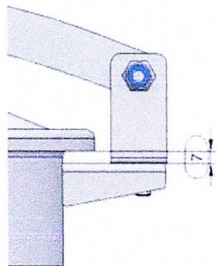
**Old support T1/200**



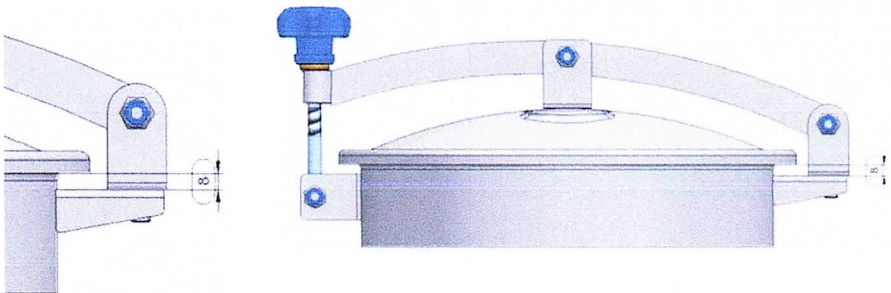
**New support T1/200**



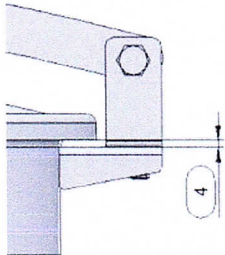
**Old support T1/300**



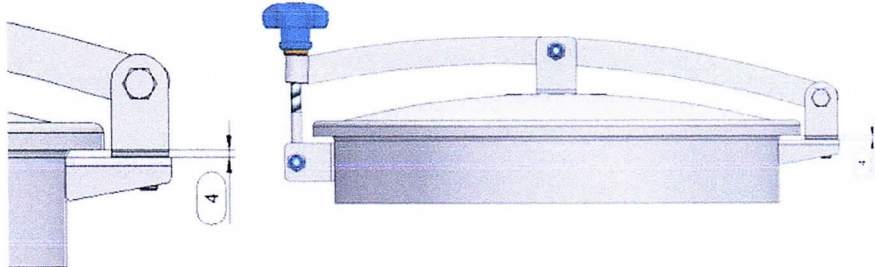
**New support T1/300**



**Old support T1/400**



**New support T1/400**



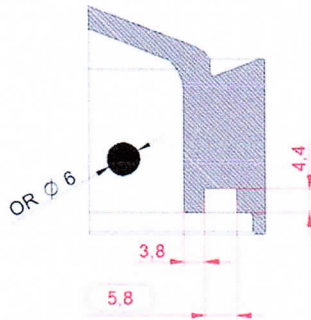


15) **Technical Change:** seat of the gasket broadened from 5,8 mm to 7,8 mm  
the 2 gaskets (Ø6mm and Ø8mm ) are noninterchangeable

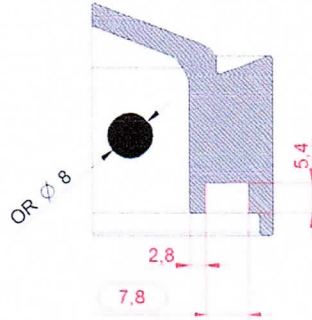
Products Involved: **Mod. 400P, Mod. 400L**

Implementation start date: until stocks are exhausted

**Old gasket Ø6mm**



**New gasket Ø8mm**



16) **New product release:** the entire pressure series is now available also with the blue plastic handwheel  
MEC/80 BLU M16

Products Involved: **300P – 400P – 450P – 500P - 600P**

Implementation start date: 06/2018



Our technical and sales departments are at your disposal for further information.

We trust you will appreciate our constant efforts to offer a product always technically updated and we kindly ask you to take note of the changes above explained.

With best regards,

Zorzini spa

Rosati Marcello  
Sales Manager