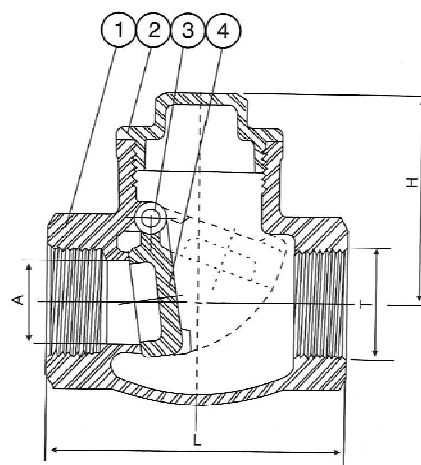
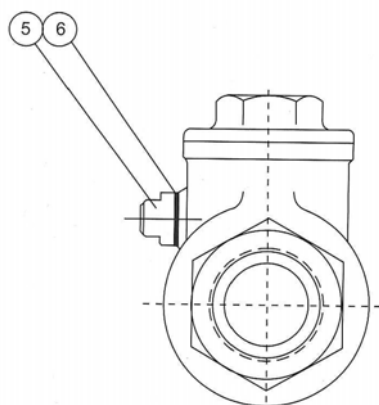




ZAWÓR ZWROTNY / CHECK VALVE

Ciśnienie robocze / MAWP 200 PSI

Temperatura robocza / Temperature range -50 to 348 °C



| Lista materiałowa / Material List | | | |
|-----------------------------------|-------------------------|---------------------|-------------|
| Nr / No. | Nazwa / Name | Materiał / Material | Ilość / Qty |
| 1 | Korpus / Body | AISI316/CF8M | 1 |
| 2 | Pokrywa / Cover | AISI316/CF8M | 1 |
| 3 | Tuleja / Hinge Pin | AISI316/CF8M | 1 |
| 4 | Kłapa / Disc | AISI316/CF8M | 1 |
| 5 | Korek / Plug | AISI316/CF8M | 1 |
| 6 | Uszczelka / Plug Gasket | PTFE | 2 |

| Wymiary / Dimensions (mm) | | | | Nr kat. / Part No |
|---------------------------|----|-----|-----|-------------------|
| Cal/Inch | A | L | H | |
| 1/2" | 15 | 42 | 65 | CVC12 |
| 3/4" | 20 | 51 | 80 | CVC14 |
| 1" | 25 | 60 | 90 | CVC1 |
| 1 1/2" | 32 | 67 | 105 | CVC114 |
| 2" | 40 | 75 | 120 | CVC112 |
| 2 1/2" | 50 | 81 | 140 | CVC2 |
| 3" | 65 | 93 | 180 | CVC212 |
| 3 1/2" | 80 | 104 | 200 | CVC3 |